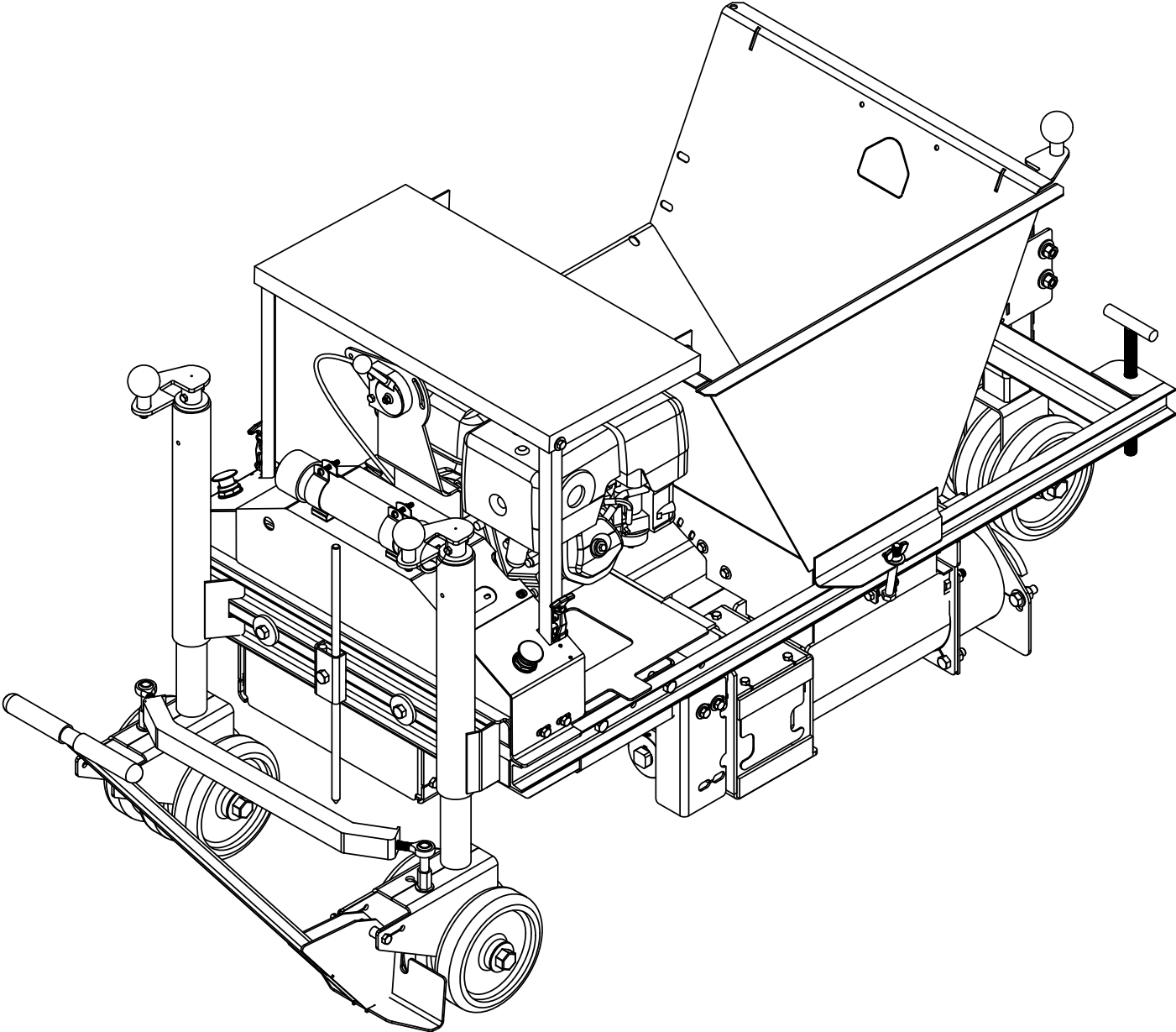
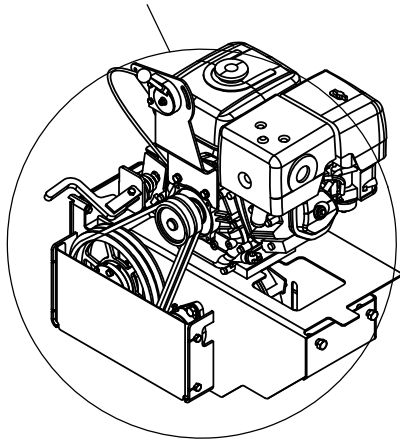


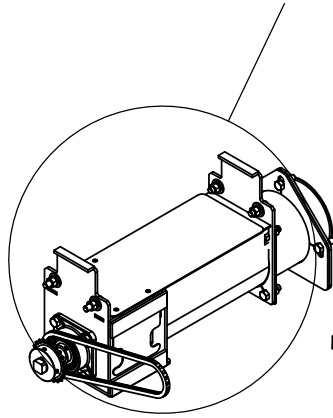
05-13HE-750-06SS



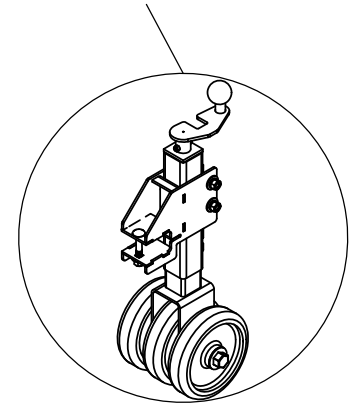
DRIVE TRANSMISSION ASSEMBLY



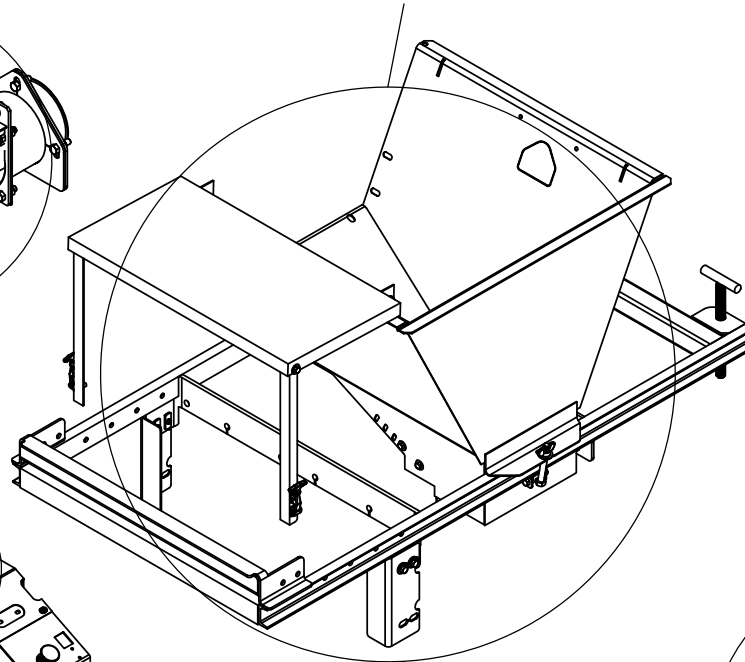
RIGHT AUGER ASSEMBLY



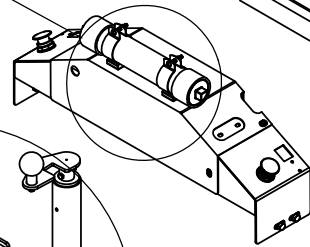
REAR WHEEL ASSEMBLY



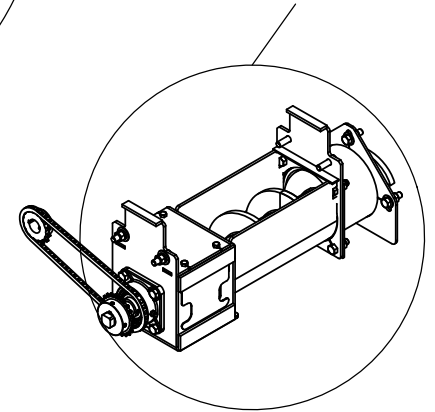
FRAME HOPPER ASSEMBLY



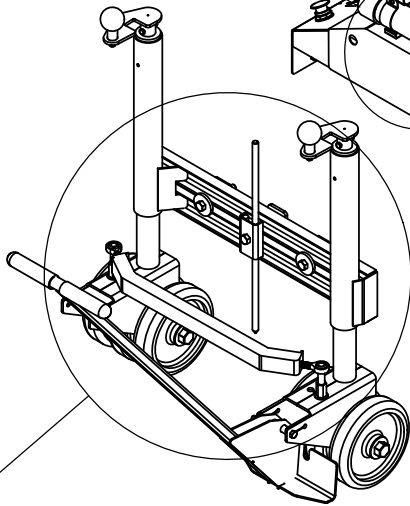
BELT GUARD ASSEMBLY



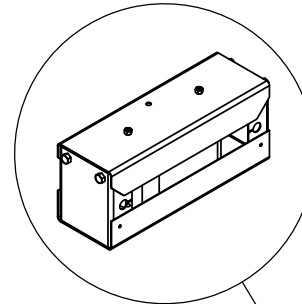
LEFT AUGER ASSEMBLY



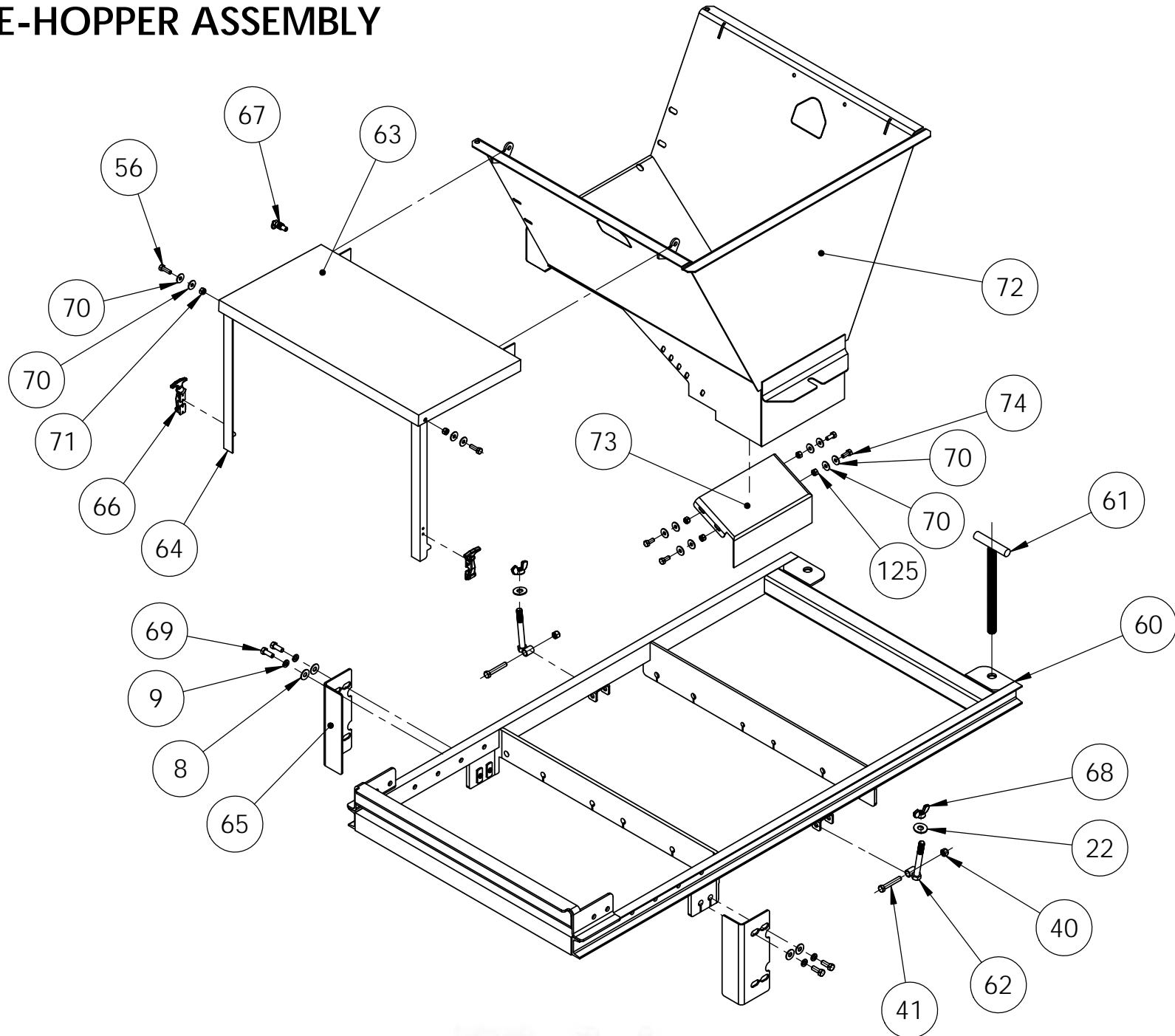
FRONT WHEEL ASSEMBLY



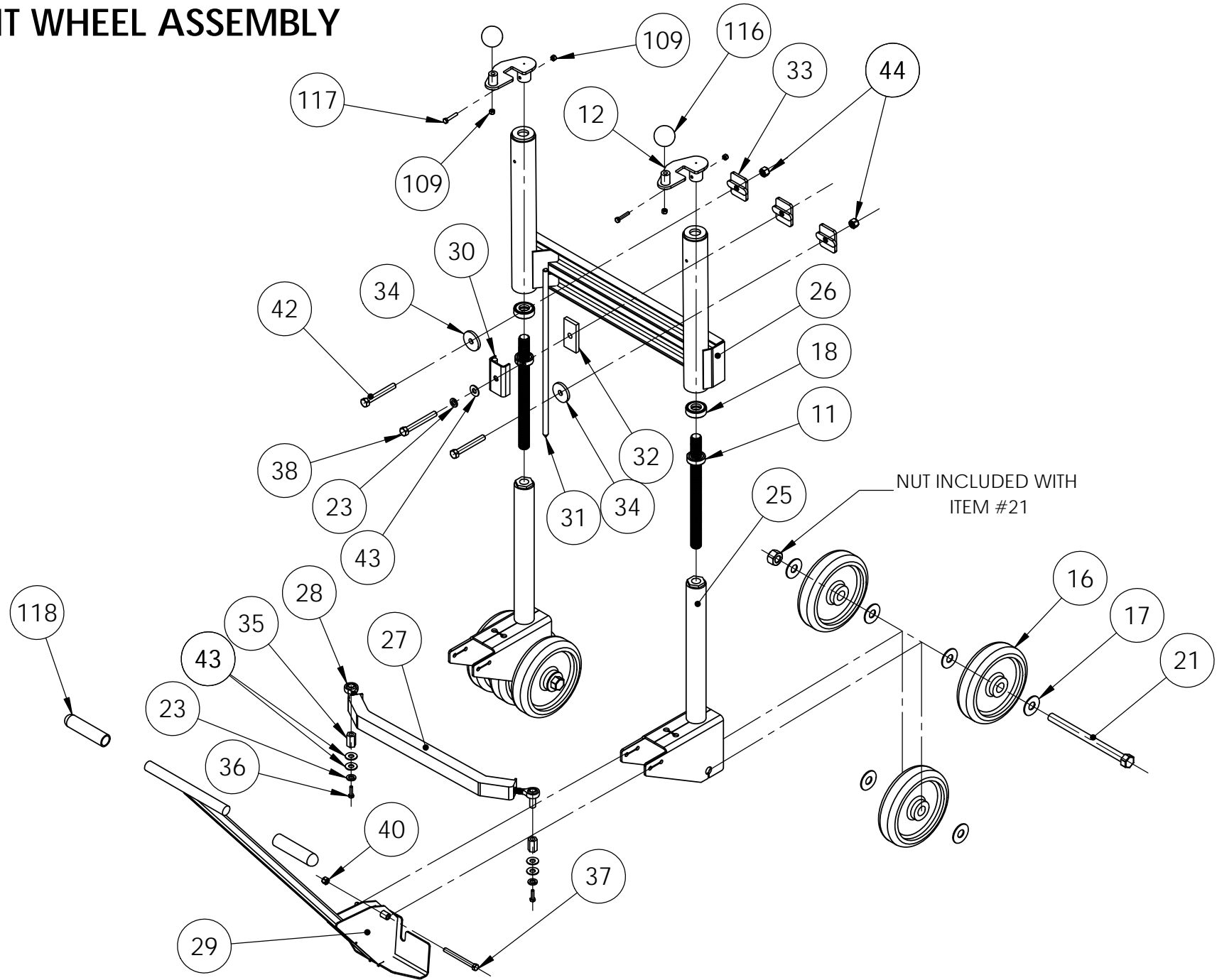
BATTERY BOX ASSEMBLY



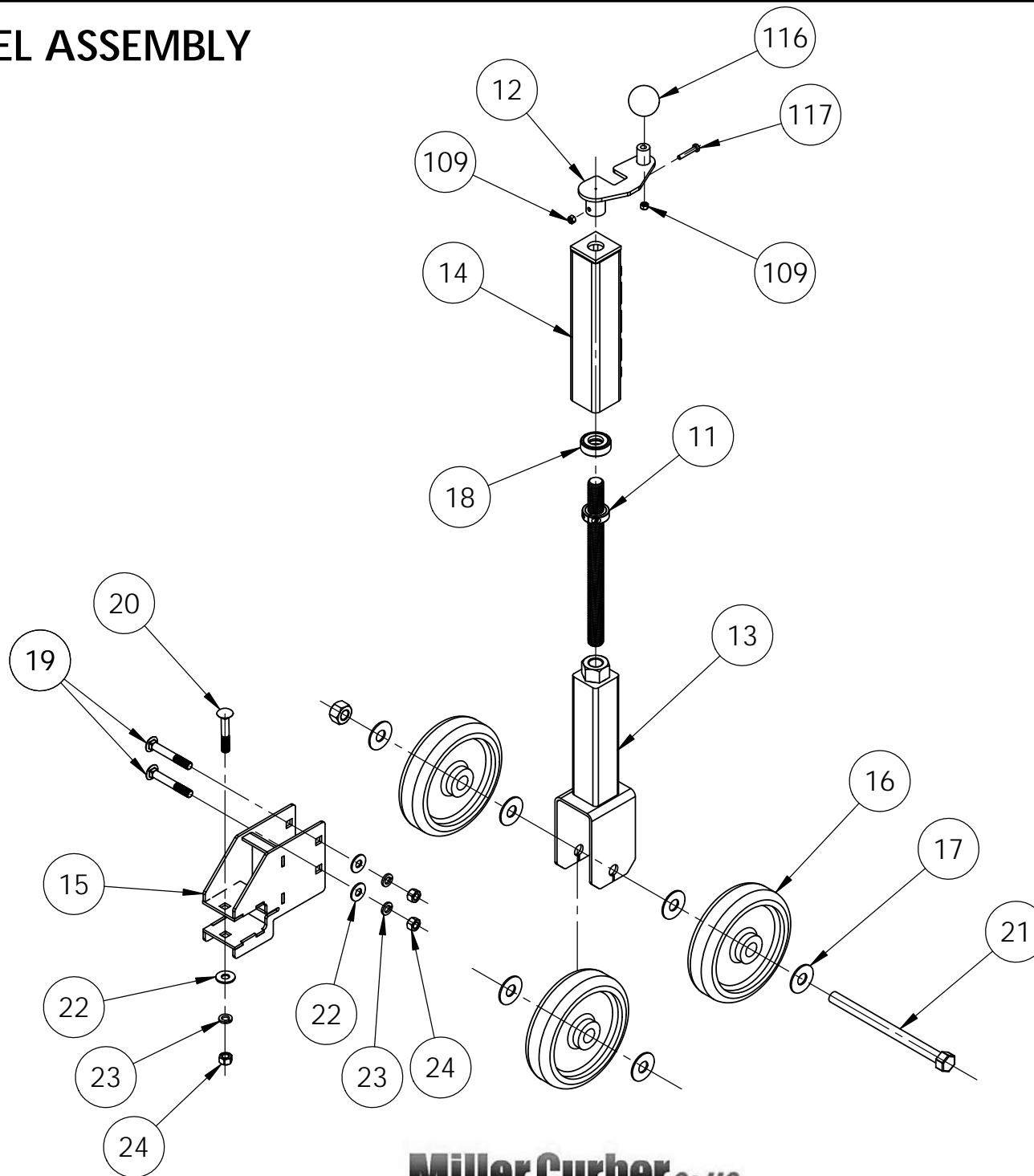
FRAME-HOPPER ASSEMBLY



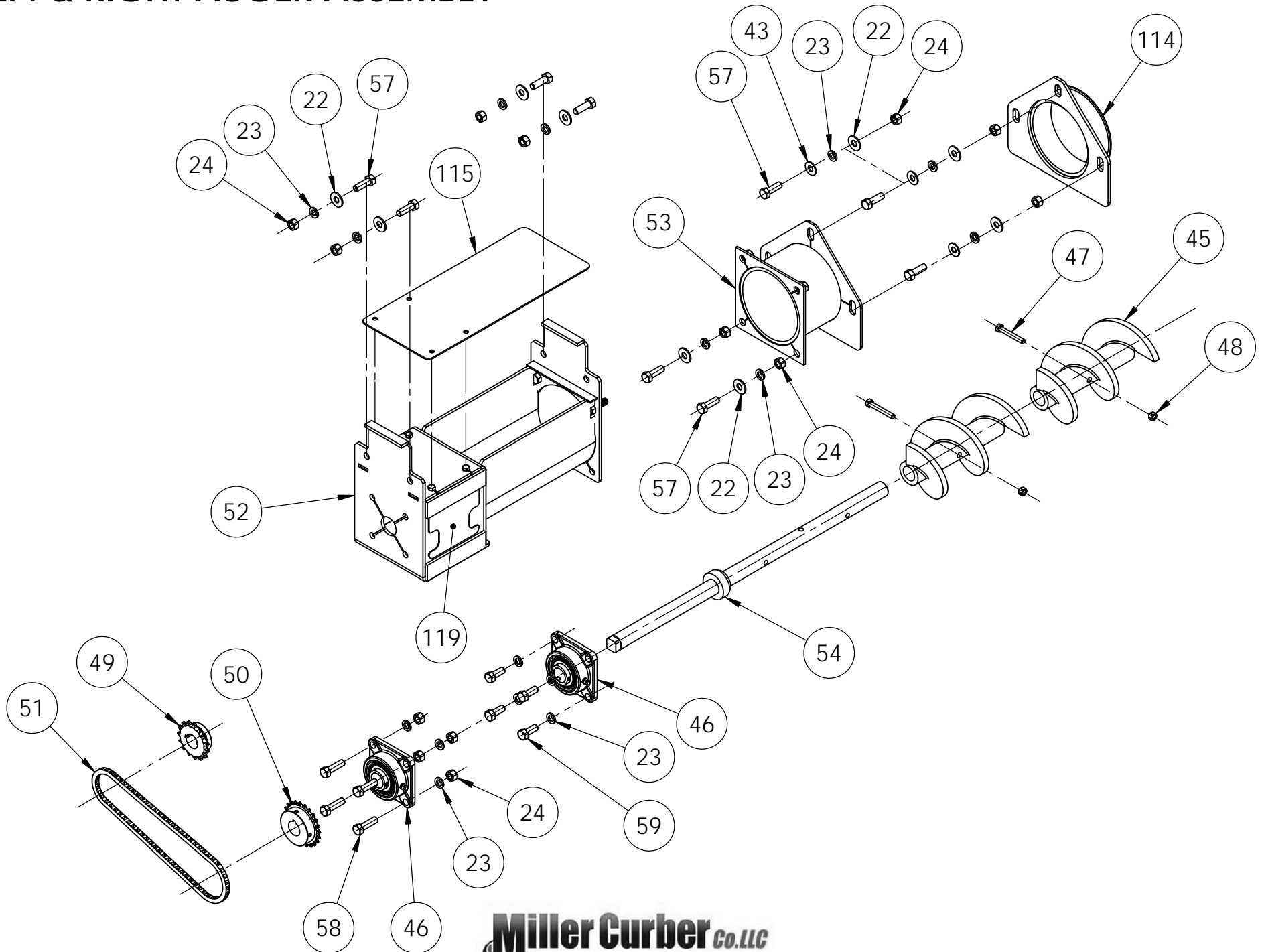
FRONT WHEEL ASSEMBLY



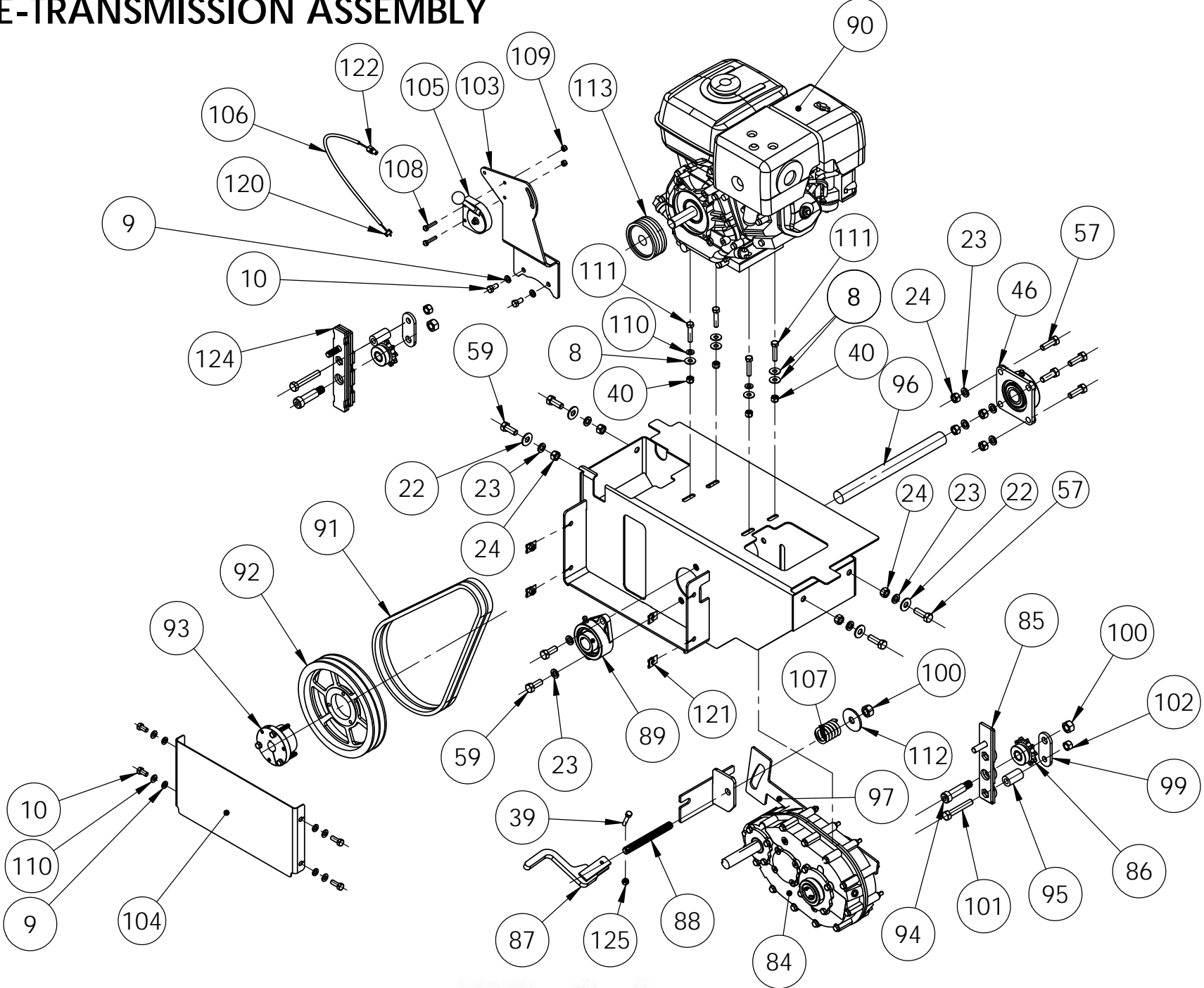
REAR WHEEL ASSEMBLY



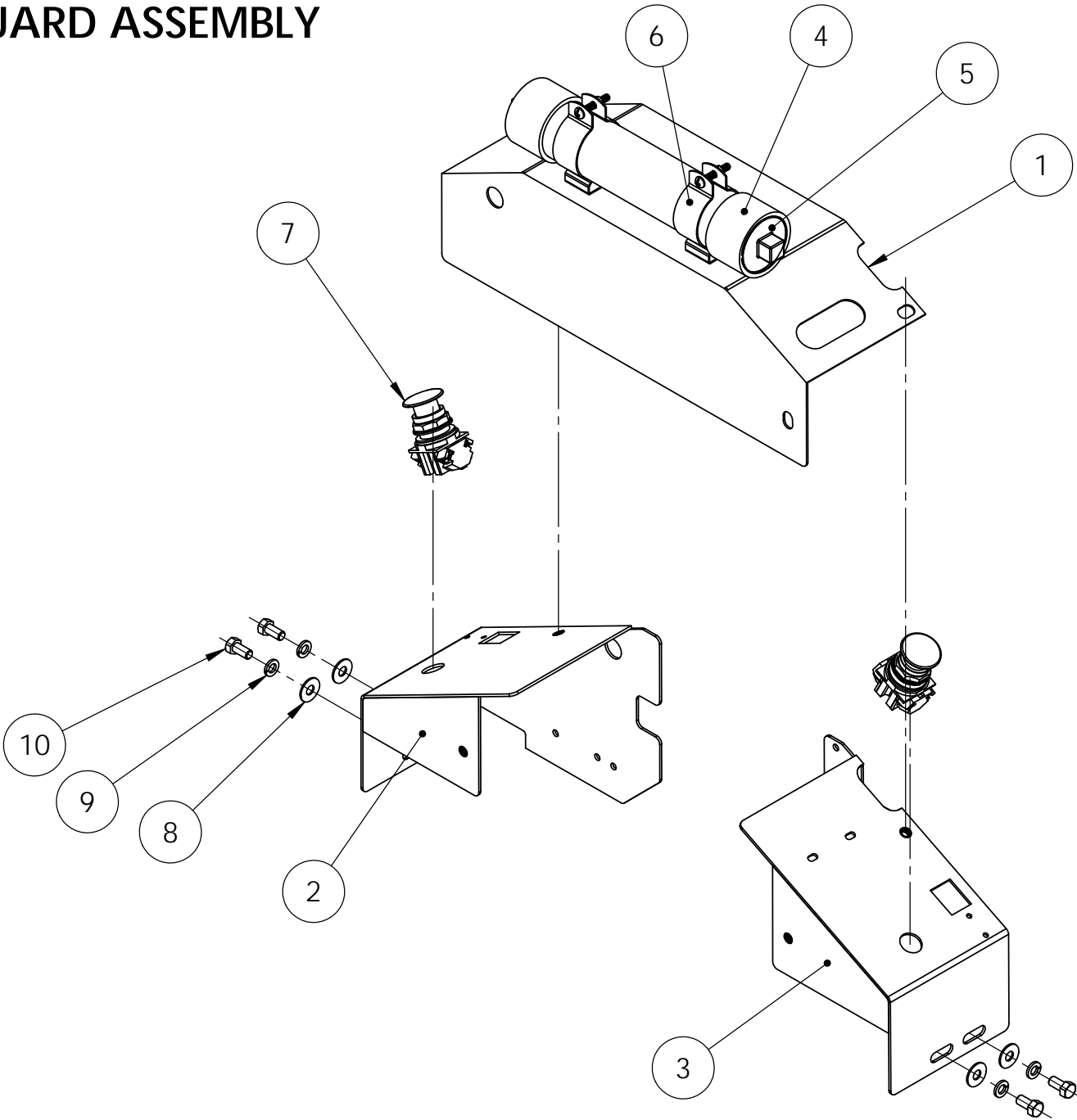
LEFT & RIGHT AUGER ASSEMBLY



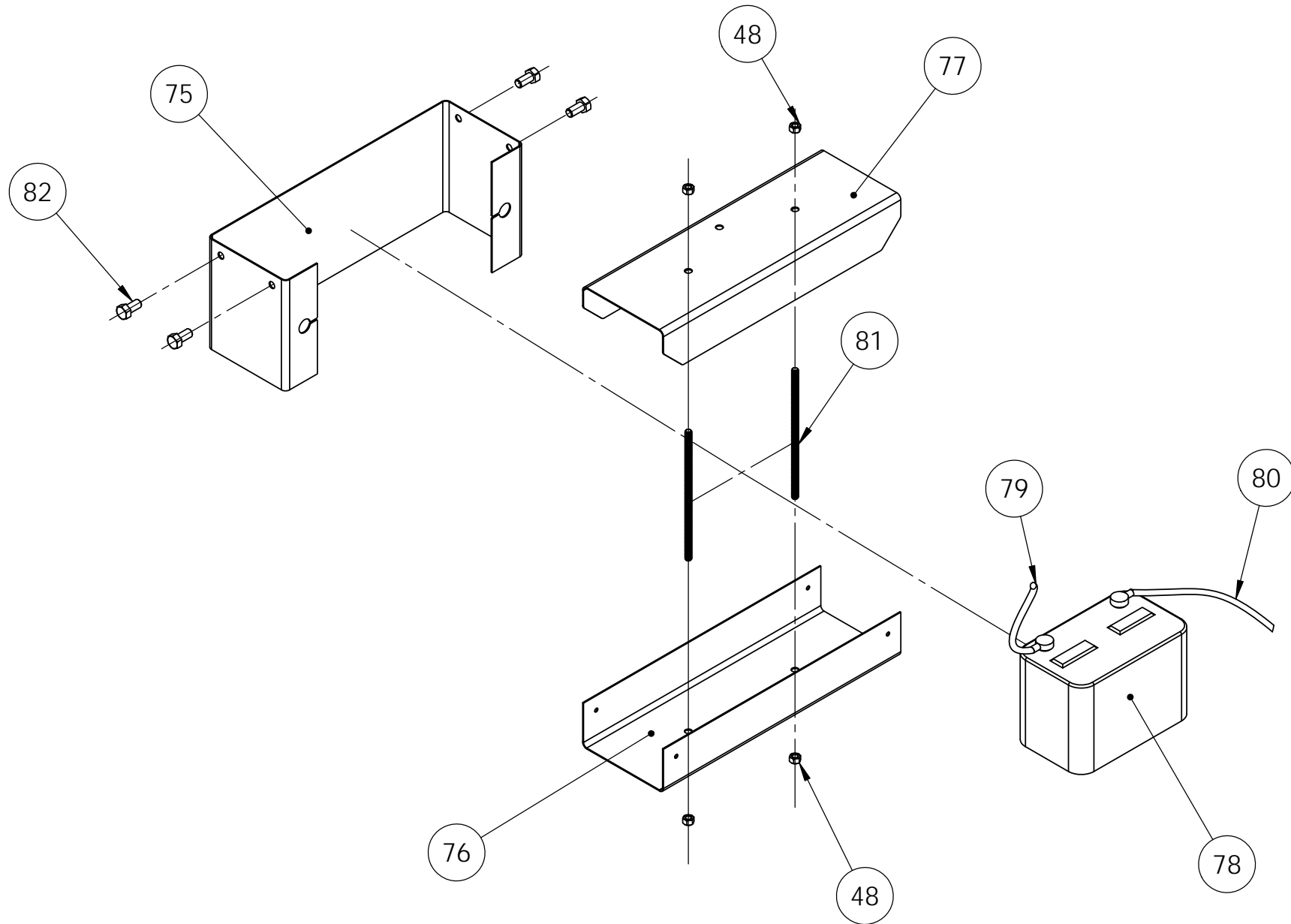
DRIVE-TRANSMISSION ASSEMBLY



BELT GUARD ASSEMBLY



BATTERY BOX ASSEMBLY



ITEM NO.	PART NUMBER	DESCRIPTION
1	45019-29	CENTER BELT GUARD COVER
2	45019-18	RIGHT HAND BELT GUARD WELDMENT
3	45019-19	LEFT HAND BELT GUARD WELDMENT
4	44108-01	MANUAL TUBE
5	44108-05	MANUAL TUBE CAP
6	44108-07	MANUAL TUBE MOUNTING CLAMPS
7	45043-04	EMERGENCY STOP SWITCH, ELECTRIC START
8		USS FLAT WASHER, 3/8"
9		LOCK WASHER, 3/8"
10		HHCS, 3/8-16 UNC x 3/4" LG.
11	45034-15	SHORT ADJUSTING SCREW WELDMENT
12	45036-11	JACK HANDLE ASSEMBLY
13	45039	REAR WHEEL FORK, SHORT
14	45034-03	REAR JACK COVER WELDMENT
15	45033-01	REAR JACK CLAMP BRACKET, SQUARE TUBE
16	WT0100	8" x 2" RUBBER WHEEL W/ ROLLER BEARING
17		USS FLAT WASHER, 3/4"
18	BE0600	JACK ASSEMBLY THRUST BEARING
19	47132-24	CARRIAGE BOLT, 1/2-13 UNC x 3-1/2" LG.
20	47139-37	CARRIAGE BOLT, 1/2-13 UNC x 3" LG.
21	45094-04	AXEL, 3/4-10NC x 10" LG W/ LOCKNUTS
22		USS FLAT WASHER, 1/2"

ITEM NO.	PART NUMBER	DESCRIPTION
23		LOCK WASHER, 1/2"
24		HEX NUT, 1/2-13 UNC
25	45038-01	MC-550/650 FRONT WHEEL FORK
26	45005-02	FRONT JACK HOUSING
27	45059-08	TIE ROD
28	45059-04	MALE TIE ROD END W/ STUD
29	45020-13	STEERING HANDLE
30	45031-18	MARKER HOLDER ROD BRACKET
31	45031-11	MC-550/650/850 MARKER POINTER
32	45031-17	CURBER MARKING ROD BACKPLATE
33	45031-21	FRONT END CLAMP RETAINING NUT
34	45140-31	FRONT END CLAMP WASHER
35	45059-11	COUPLING NUT, 1/2-20 UNF x 1-1/4" LG.
36		HHCS, 1/2-20 UNF x 1" LG.
37		HHCS, 3/8-16 UNC x 4" LG.
38		HHCS, 1/2-13 UNC x 4" LG.
39		HHCS, 5/16-18 UNC x 1-1/2" LG.
40		LOCK NUT, 3/8-16 UNC
41		HHCS 3/8-16 UNC x 2-1/4" LG.
42		HHCS, 1/2-13 UNC x 3-3/4" LG.
43		SAE FLAT WASHER, 1/2"
44		LOCK NUT, 1/2-13 UNC

NOTE:
WHEN ORDERING FASTENERS, PLEASE USE
PAGE REFERENCE (LOWER RIGHT HAND
CORNER) AND ITEM NUMBER.



ITEM NO.	PART NUMBER	DESCRIPTION
45	45018-09	6" SOLID AUGER, 9" LONG
46	BE0200	1-1/4" 4-BOLT FLANGE BEARING
47		HHCS, 3/8-16 UNC x 2-1/2" LG.
48		HEX NUT, 3/8-16 UNC
49	SK0200	15 TOOTH SPROCKET
50	SK0300	23 TOOTH SPROCKET
51	45050-10	ROLLER CHAIN, 37" LONG
52	45010-01	6" STANDARD AUGER HOUSING
53	45014-01	6" COMPACTION TUBE
54	45023-01	SOLID AUGER SHAFT
55	45023-01	SOLID AUGER SHAFT
56		HHCS, 5/16-18 UNC x 1" LG.
57		HHCS, 1/2-13 UNC x 1-1/2" LG.
58		HHCS, 1/2-13 UNC x 1-3/4" LG.
59		HHCS, 1/2-13 UNC x 1-1/4" LG.
60	45045-01	CURBER FRAME WELDMENT 550/650
61	45003-11	CURBFORM HOLD DOWN SCREW
62	45012-13	HOPPER CLAMP
63	45145-01	ENGINE COVER
64	45145-10	ENGINE COVER BRACE
65	45050-18	CHAIN GAURD
66	MS0200	RUBBER HOOD LATCH

ITEM NO.	PART NUMBER	DESCRIPTION
67	45145-17	RETRACTABLE PLUNGER
68		WING NUT, 1/2-13 UNC
69		HHCS, 3/8-16 x 1" LG.
70		SAE FLAT WASHER, 5/16"
71		NYLOK LOCK NUT, 5/16-18 UNC
72	45013-01	REVERSIBLE HOPPER
73	45013-09	HOPPER ADJUSTING PLATE
74		HHCS, 5/16-18 UNC x 3/4" LG.
75	45116-19	WRAP-AROUND BATTERY BOX SIDE
76	45116-20	BATTERY BOX BOTTOM
77	45116-21	BATTERY BOX TOP
78	BT0100	BATTERY, 12V DC
79	BF0200	BATTERY GROUND CABLE
80	BF0100	36" BATTERY POSITIVE CABLE
81	45116-23	BATTERY BOX BOLTS
82		BATTERY BOX HARDWARE
83	45008-01	CURBILDER MOTOR MOUNT
84	45050-05	GEAR REDUCER
85	45016-17	IDLER BRACKET WELDMENT
86	45016-10	IDLER SPROCKET W/ BUSHING
87	45024-09	SAFETY TORQUE ARM HANDLE
88	45024-14	SAFETY TORQUE ARM STUD

NOTE:
WHEN ORDERING FASTENERS, PLEASE USE
PAGE REFERENCE (LOWER RIGHT HAND
CORNER) AND ITEM NUMBER.



ITEM NO.	PART NUMBER	DESCRIPTION
89	BE0100	1-1/4" 2-BOLT FLANGE BEARING
90	EN1700	13 HP HONDA, ELECTRIC START
91	45050-23	COG "V" BELT
92	45050-02	2 GROOVE Q.D. SHEAVE
93	45050-03	Q.D. BUSHING FOR 4050-02
94	45016-22	SHOULDER BOLT, 3/4-10 UNC x 2" LG.
95	45016-21	IDLER BRACKET TUBE
96	45050-16	OUTPUT SHAFT
97	45024-03	SAFETY TORQUE ARM
98	45024-04	SAFETY TORQUE ARM BRACKET
99	45016-18	IDLER BRACKET RETAINING PLATE
100		HEX NUT, 5/8-11 UNC
101		HHCS, 1/2-13 UNC x 3" LG.
102		HEX NUT, 1/2-13 UNC
103	45130-23	13HP HONDA THROTTLE MOUNTING BRACKET
104	45008-10	SHEAVE GAURD
105	45132-43	THROTTLE CONTROL
106	45130-34	13 HP HONDA THROTTLE CABLE ASSEMBLY
107	45024-02	TORQUE ARM COMPRESSION SPRING
108		HHCS, 1/4-20 UNC x 1-1/4" LG.
109		LOCK NUT, 1/4-20 UNC
110		SAE FLAT WASHER, 3/8"

ITEM NO.	PART NUMBER	DESCRIPTION
111		HHCS, 3/8-16 UNC x 1-3/4" LG.
112		FLAT WASHER, 5/8" GRADE 8
113	45048-07	CLUTCH, 1" BORE, STD. DUTY
114	45014-10	FRONT AUGER GUARD
115	45010-68	TOP AUGER GUARD
116	MS0400	JACK HANDLE KNOB
117		HHCS, 1/4-20 UNC x 1-1/2" LG.
118	CG0100	GRIP, HANDLEBAR
119	45010-12	6" AUGUR SHAFT GAURD
120	45130-27	HONDA THROTTLE WIRE SWIVEL
121	45108-07	3/8" CAGE NUT
122	45132-44	BULK HEAD FITTING
123	45016-22	SHOULDER BOLT, 3/4-10 UNC x 2" LG.
124	45016-34	RH IDLER BRACKET WELDMENT
125		LOCK NUT, 5/16-18 UNC

NOTE:
 WHEN ORDERING FASTENERS, PLEASE USE
 PAGE REFERENCE (LOWER RIGHT HAND
 CORNER) AND ITEM NUMBER.

